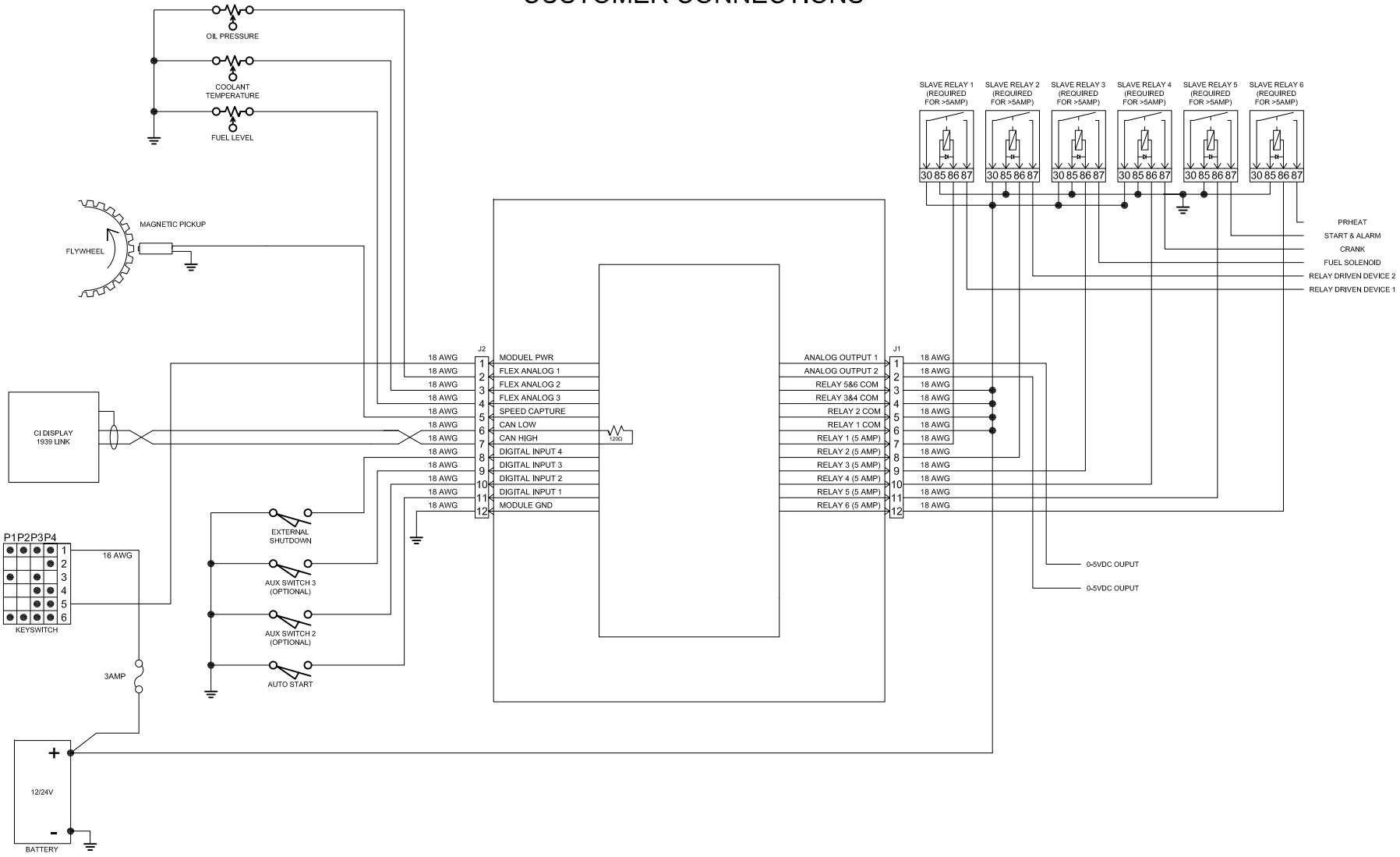


# CUSTOMER CONNECTIONS



|     |             |      |    |
|-----|-------------|------|----|
| REV | DESCRIPTION | DATE | BY |
| -   |             |      |    |

|             |          |
|-------------|----------|
| DESCRIPTION | XCAN-ECU |
| APPLICATION | -        |
| MATERIAL    | -        |
| FINISH      | -        |

|          |            |
|----------|------------|
| DRAWN BY | BEN        |
| DATE     | 02/18/2021 |
| SHEET    | 1 OF 1     |

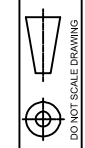
|                |             |
|----------------|-------------|
| DRAWING NUMBER | XCAN-ECU_CC |
| REV            | -           |

**CONTROLS INCORPORATED**  
 5204 Portside Drive  
 Medina, Oh 44256  
 ph. 330.239.4345  
 fax. 330.239.2845

UNLESS OTHERWISE SPEC. DIMENSIONS ARE IN INCHES.  
 TOLERANCES: .000, .010, .030  
 .XX DECIMALS = ±0.000  
 .XXX DECIMALS = ±0.000  
 FRACTIONS = ±1/16

THIS DRAWING DATA FILE AND THE INFORMATION SHOWN THEREIN IS CONFIDENTIAL AND PROPRIETARY AND SHALL BE REPRODUCED BY ANY MEANS FOR ANY PURPOSE IN HARD COPY FORM OR IN WRITTEN CONSENT OF CONTROLS, INC.

|     |             |      |    |
|-----|-------------|------|----|
| REV | DESCRIPTION | DATE | BY |
| -   |             |      |    |



DO NOT SCALE DRAWING