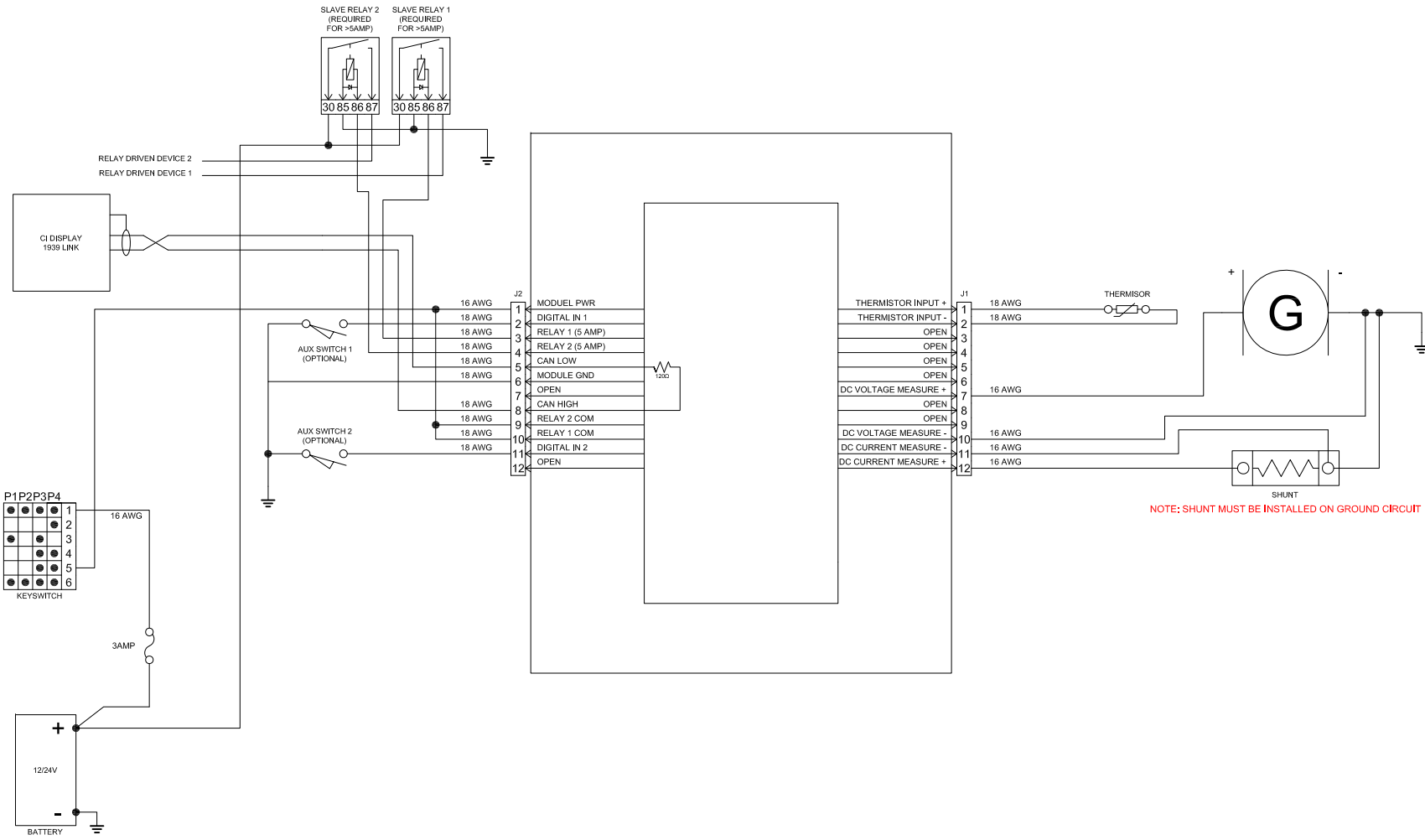


# CUSTOMER CONNECTIONS



NOTE: SHUNT MUST BE INSTALLED ON GROUND CIRCUIT

DESCRIPTION  
XCAN-DC

**CONTROLS INCORPORATED**  
5204 Portside Drive  
Medina, Oh 44256  
ph. 330.239.4345  
fax. 330.239.2845

APPLICATION	BEN
MATERIAL	05/05/2020
FINISH	1 OF 1

THIS DRAWING DATA FILE AND THE INFORMATION SHOWN THEREIN IS CONFIDENTIAL AND PROPRIETARY AND SHALL BE REPRODUCED BY ANY MEANS FOR ANY PURPOSE IN HARD COPY FORM OR IN WRITTEN CONSENT OF CONTROLS INC.

UNLESS OTHERWISE SPEC. DIMENSIONS ARE IN INCHES.  
TOLERANCES: .000, .010, .020  
.XXX DECIMALS = ±0.000  
.XX DECIMALS = ±0.010  
FRACTIONS = ±1/16

REV	DESCRIPTION	DATE	BY
-	-	-	-

DRAWING NUMBER  
XCAN-DC\_CC

DO NOT SCALE DRAWING

REV -