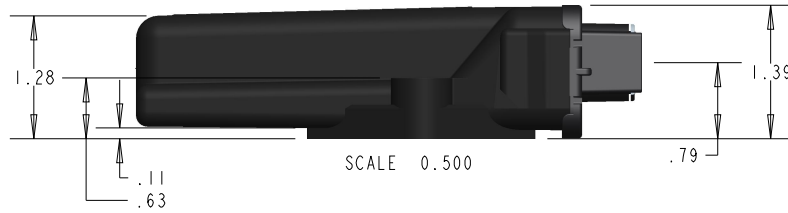


**MATING CONNECTOR:**  
DTM06-12SA (GREY-A KEY)  
0462-201-20141 SOCKET  
0413-204-2005 SEAL

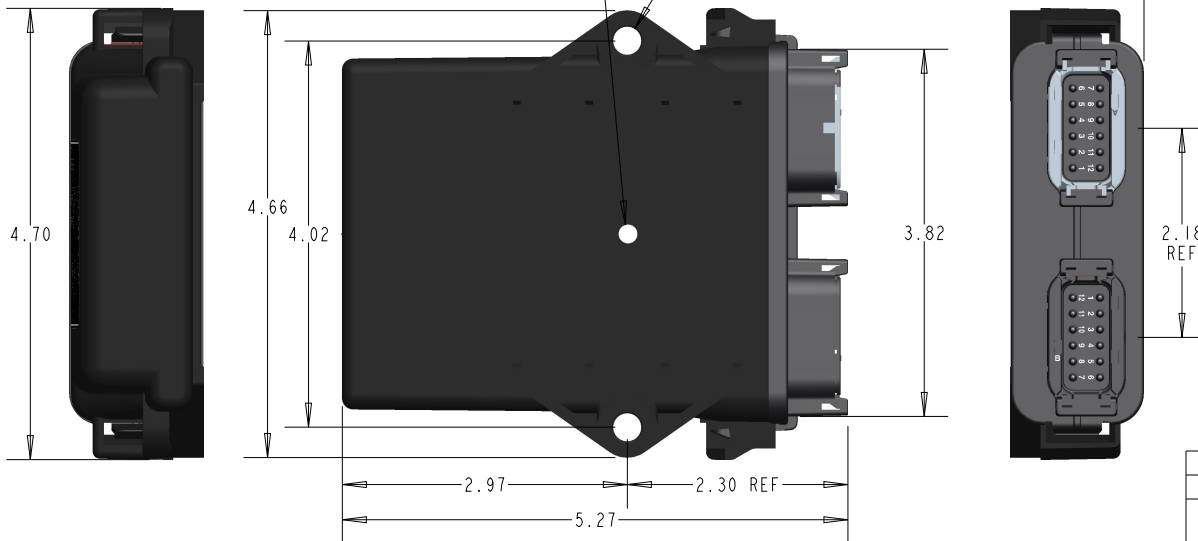
**MATING CONNECTOR:**  
DTM06-12SB (BLACK-B KEY)  
0462-201-20141 SOCKET  
0413-204-2005 SEAL




12PA	RELAY CONTACTS
<b>RELAY COMMON ASSIGNMENTS</b>	
1	RELAY 6, COMMON
2	RELAY 5, COMMON
3	RELAY 4, COMMON
4	RELAY 3, COMMON
5	RELAY 2, COMMON
6	RELAY 1, COMMON
<b>RELAY SIGNAL ASSIGNMENTS</b>	
7	RELAY 1, NO* / NC
8	RELAY 2, NO* / NC
9	RELAY 3, NO* / NC
10	RELAY 4, NO* / NC
11	RELAY 5, NO* / NC
12	RELAY 6, NO* / NC
*DEFAULT = NORMALLY OPEN	

12PB	POWER/RELAY/CAN
1	VBATT +
<b>RELAY SIGNAL ASSIGNMENTS</b>	
2	RELAY 7, NO* / NC
3	RELAY 8, NO* / NC
4	RELAY 9, NO* / NC
5	RELAY 10, NO* / NC
6	CAN LOW
7	CAN HIGH
<b>RELAY COMMON ASSIGNMENTS</b>	
8	RELAY 10, COMMON
9	RELAY 9, COMMON
10	RELAY 8, COMMON
11	RELAY 7, COMMON
12	GROUND
*DEFAULT = NORMALLY OPEN	

**ATMOSPHERIC VENT PATCH**  
VERTICAL INSTALLATION PREFERRED,  
DO NOT BLOCK



**XCAN-10R, 10 RELAYS**

TOLERANCES ON DIMENSIONS UNLESS OTHERWISE SPECIFIED		 WWW.CONTROLSINC.COM 330-239-4345	
DECIMAL PLACE TOLERANCES	0.0 = ±0.060		
	0.00 = ±0.030	DESCRIPTION:	
0.000 = ±0.010	ANGLES: XX = ±0.5°	MATERIAL: REFERENCE BILL OF MATERIAL	DRAWING NUMBER: XCAN-10R
DRAWING UNITS UNLESS SPECIFIED: INCHES		STATUS: RELEASED	
DRAWN BY: KLD	DATE: May-22-19	REV: -	
CHECKED BY:	DATE:	SHEET: 1 OF 1	
MODEL: XCAN	CONFIGURATION: 10R		

REV:	DATE:	BY:	DESCRIPTION: