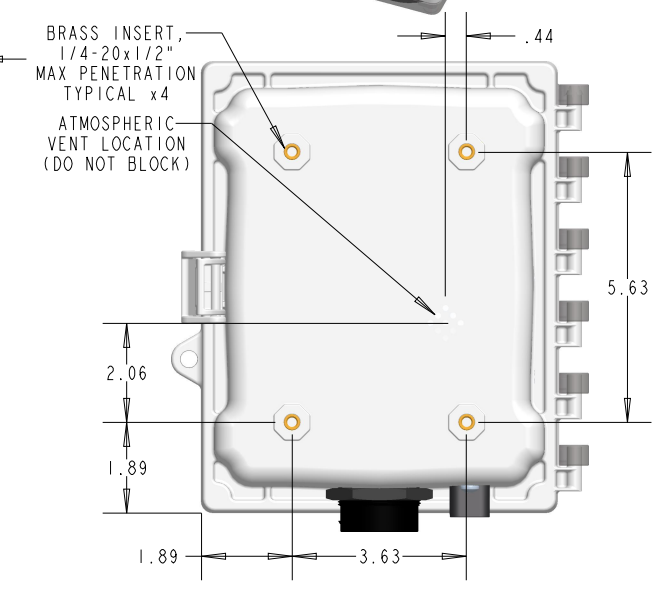
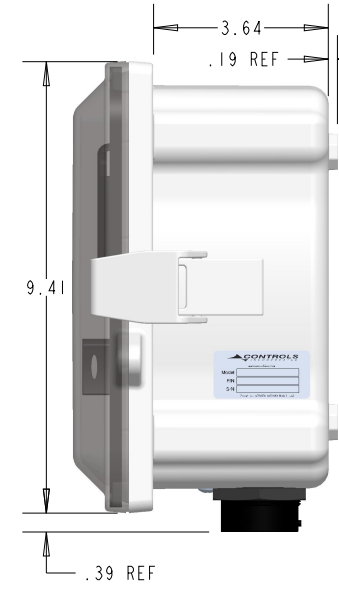
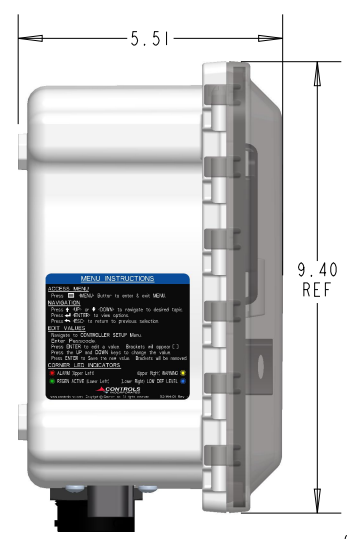


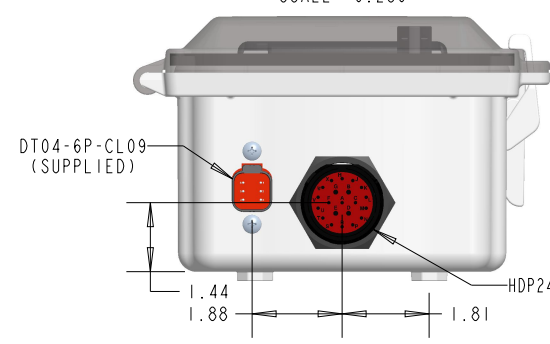
RX-62100 SHOWN
SCALE 0.200



BRASS INSERT,
1/4-20x1/2"
MAX PENETRATION
TYPICAL x4
ATMOSPHERIC
VENT LOCATION
(DO NOT BLOCK)

NO THROTTLE
ROCKER SWITCH
(CUT-OUT PLUGGED)

SCALE 0.250



DT04-6P-CL09
(SUPPLIED)

HDP24-24-21PE (ELECTRONIC/UNIVERSAL)
HDP24-24-16PE (MECHANICAL)

NOTE:
1. L-AH864-ABG ENCLOSURE MODIFICATION SHOWN.

ENCLOSURE MACHINING REFERENCE CHART		
DETAIL	COMPONENT	DESCRIPTION
A	VE82029	ATMOSPHERIC VENT
B	HDP23-24-XXPN/E	DEUTSCH, HDP/24 SHELL
D	DT04-4P-L012	DEUTSCH, DT/4P FLANGED
E	I1D3240	ALARM HORN
G	DT04-6P-CL09	DEUTSCH, DT/6P FLANGED
H	70-144	E-STOP ASSEMBLY

REV:	DATE:	BY:	DESCRIPTION:

TOLERANCES ON DIMENSIONS UNLESS OTHERWISE SPECIFIED	
DECIMAL PLACE TOLERANCES	0.0 = ±0.060 0.00 = ±0.030 0.000 = ±0.010
ANGLES:	XX = ±0.5°
DRAWING UNITS UNLESS SPECIFIED: INCHES	
DRAWN BY: KLD	DATE: 30-NOV-2022
RELEASED BY:	DATE:
MODEL: RX	
CONFIGURATION: 62100	

WWW.CONTROLSINC.COM	330-239-4345
NEXT ASS'Y:	N/A
DESCRIPTION:	RX DISPLAY MODULE-8x6x4 ATTABOX, HDP24* & DT04-6P-CL09 DEUTSCH
MATERIAL:	REFERENCE BILL OF MATERIAL
STATUS:	RELEASED
DRAWING NUMBER:	RX-62100
SHEET: 1 OF 1	REV: -