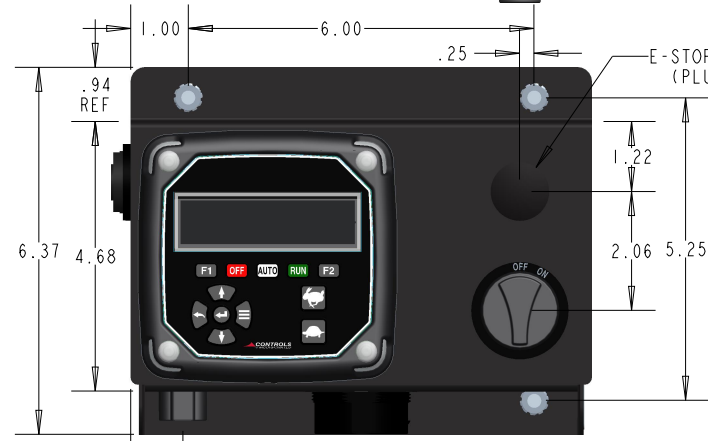
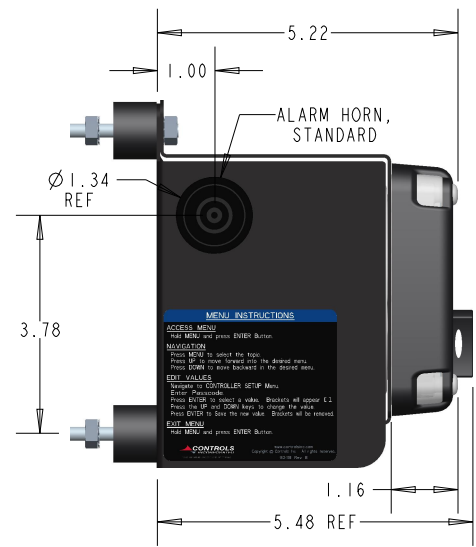
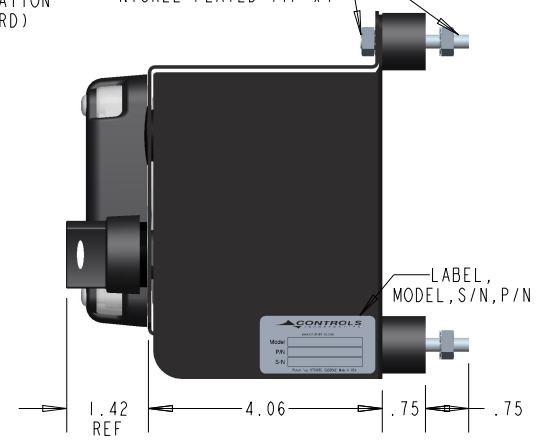


SCALE 0.250

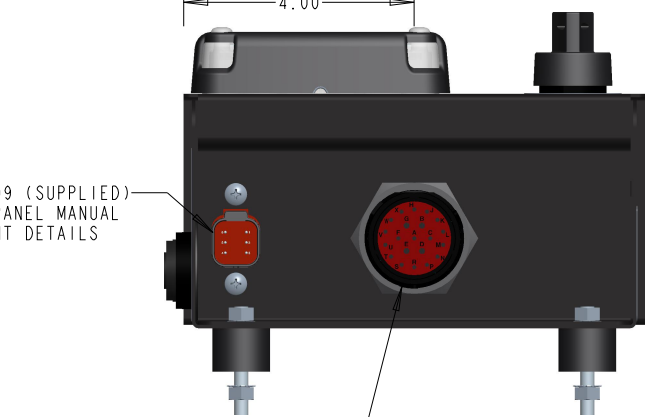


SCALE 0.300


ISOLATION MOUNT,
1/4-20 STUD,
NICKEL PLATED-TYP x4



DEUTSCH, DT04-6P-CL09 (SUPPLIED)
REFERENCE CONTROL PANEL MANUAL
FOR PIN ASSIGNMENT DETAILS



MAIN DEUTSCH CONNECTOR
HDP24-24-21PE (SHOWN/SUPPLIED, J1939)
REFERENCE CONTROL PANEL MANUAL
FOR PIN ASSIGNMENT DETAILS

TOLERANCES ON DIMENSIONS UNLESS OTHERWISE SPECIFIED			
DECIMAL PLACE TOLERANCES	0.0 = ±0.060	WWW.CONTROLSINC.COM	330-239-4345
	0.00 = ±0.030	NEXT ASS'Y:	N/A
	0.000 = ±0.010	DESCRIPTION:	CONTROL PANEL ASSEMBLY, 3000 SERIES COMPACT SHEET METAL ENCLOSURE
ANGLES:	XX = ±0.5°	MATERIAL:	REFERENCE BILL OF MATERIAL
DRAWING UNITS UNLESS SPECIFIED: INCHES		STATUS:	RELEASED
DRAWN BY: KLD	DATE: 16-May-19	DRAWING NUMBER:	REV:
RELEASE BY: KLD	DATE: 23-Aug-19	SHEET: 1 OF 1	MX-3500-AS
MODEL: MX	CONFIGURATION: 3500-AS		

REV:	DATE:	BY:	DESCRIPTION: