

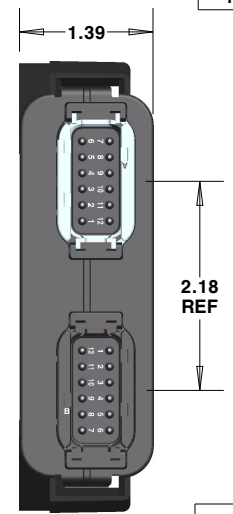
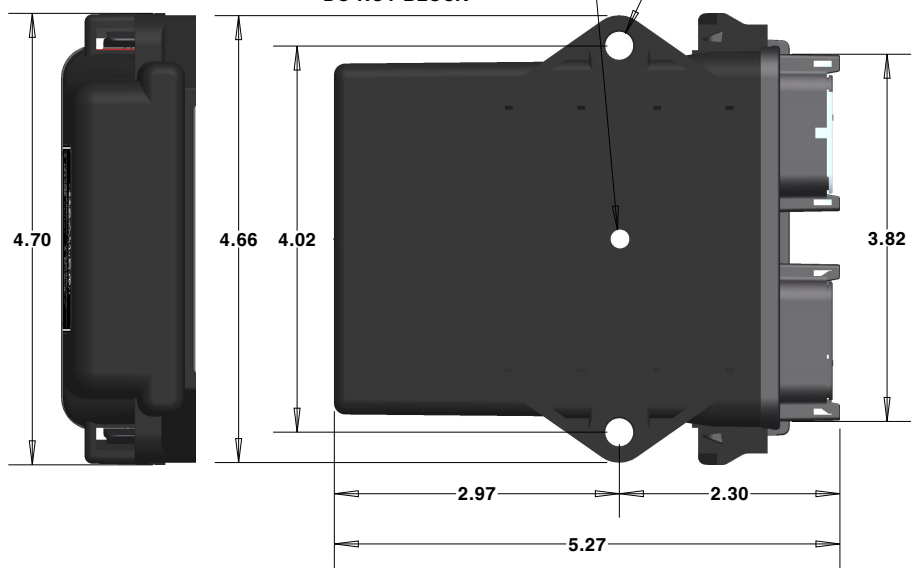
MATING CONNECTOR:
DTM06-12SA (GREY-A KEY)
0462-201-20141 SOCKET
0413-204-2005 SEAL

MATING CONNECTOR:
DTM06-12SB (BLACK-B KEY)
0462-201-20141 SOCKET
0413-204-2005 SEAL

PINS	12PA FUNCTIONS
1	THERMISTOR INPUT +
2	THERMISTOR INPUT (GND)
3	NOT USED
4	NOT USED
5	NOT USED
6	NOT USED
7	DC VOLTAGE MEASURE +
8	NOT USED
9	NOT USED
10	DC VOLTAGE MEASURE (GND)
11	DC CURRENT MEASURE -
12	DC CURRENT MEASURE +

PINS	12PB FUNCTIONS
1	V BATTERY +
2	DIGITAL INPUT 1
3	RELAY 1, NO* / NC
4	RELAY 2, NO* / NC
5	CAN LOW
6	GROUND (V-)
7	GROUND (V-)
8	CAN HIGH
9	RELAY 2, COMMON
10	RELAY 1, COMMON
11	DIGITAL INPUT 2
12	V BATTERY +

ATMOSPHERIC VENT PATCH
VERTICAL INSTALLATION PREFERRED,
DO NOT BLOCK



TOLERANCES ON DIMENSIONS UNLESS OTHERWISE SPECIFIED	
DECIMAL PLACE TOLERANCES	0.0 = ±0.060
	0.00 = ±0.030
	0.000 = ±0.010
ANGLES:	XX = ±0.5°
DRAWING UNITS UNLESS SPECIFIED: INCHES	
DRAWN BY: KLD	DATE: 13-Feb-2020
CHECKED BY:	DATE:
MODEL: XCAN-DC	
CONFIGURATION:	

WWW.CONTROLSINC.COM 330-239-4345	
NEXT ASS'Y:	DESCRIPTION:
	DC VOLTAGE MODULE, DC PARAMETERS /CAN J1939
MATERIAL:	REFERENCE BILL OF MATERIAL
STATUS:	RELEASED
DRAWING NUMBER:	REV:
XCAN-DC	A
SHEET: 1 OF 1	