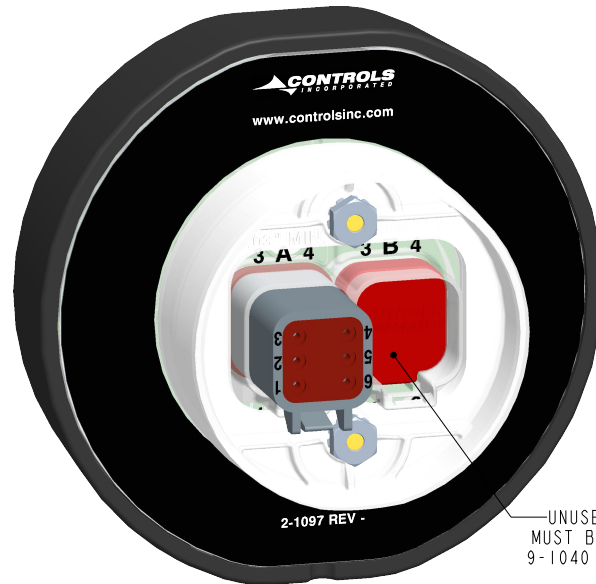
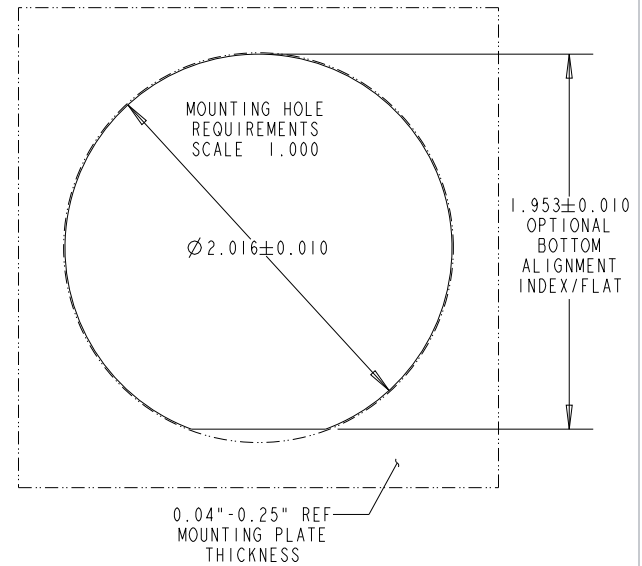




SCALE 0.750

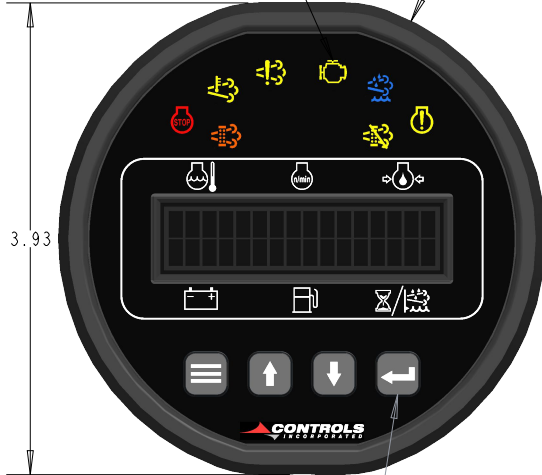


SCALE 0.750



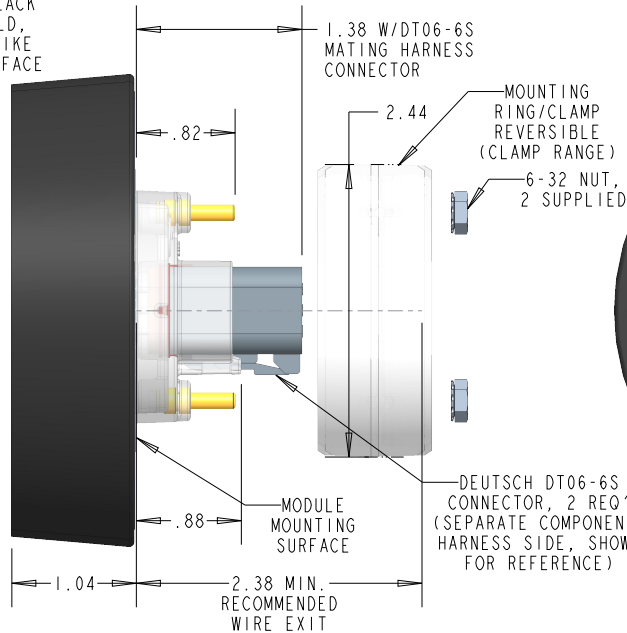
2-1168R-T4U-PS SYMBOLS SHOWN ILLUMINATED, x8 SYMBOLS VARY BY MODEL

Ø 4.06 BLACK OVER-MOLD, RUBBER-LIKE OUTER SURFACE



SCALE 0.625

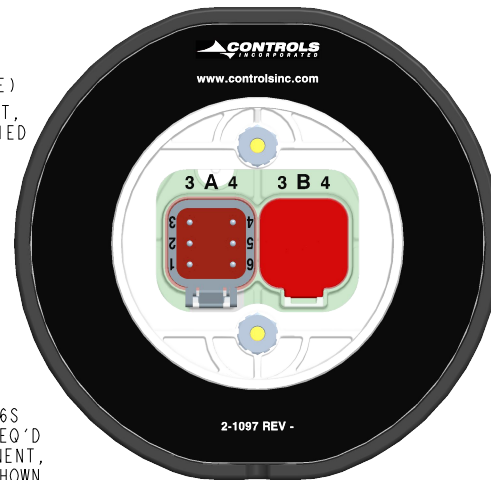
MOLDED SILICONE KEYPAD OPTION/BUTTONS SHOWN (2-1168\* OVERLAY), VARIES BY MODULE



1.38 W/DT06-6S MATING HARNESS CONNECTOR

MOUNTING RING/CLAMP REVERSIBLE (CLAMP RANGE)  
6-32 NUT, 2 SUPPLIED

DEUTSCH DT06-6S CONNECTOR, 2 REQ'D (SEPARATE COMPONENT, HARNESS SIDE, SHOWN FOR REFERENCE)



www.controlsinc.com

2-1097 REV -

TOLERANCES ON DIMENSIONS UNLESS OTHERWISE SPECIFIED			
DECIMAL PLACE TOLERANCES	0.0 = ±0.060	WWW.CONTROLSINC.COM 330-239-4345	
	0.00 = ±0.030	NEXT ASS'Y:	PANEL ASSEMBLY
	0.000 = ±0.010	DESCRIPTION:	INSTALLATION DRAWING, MVP-*** MODULE
ANGLES:	XX = ±0.5°	DRAWING UNITS UNLESS SPECIFIED: INCHES	
DRAWN BY: KLD	DATE:30-Aug-2019	MATERIAL: REFERENCE BILL OF MATERIAL	
RELEASED: KLD	DATE:20-Apr-2023	STATUS: RELEASED	
MODEL: MVP		DRAWING NUMBER:	REV:
CONFIGURATION: ALL		SHEET: 1 OF 2	MVP_SERIES C

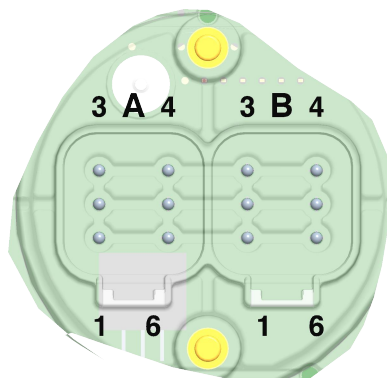
MVP SERIES INPUT/OUTPUT OPTIONS		
PCB 6900-100		
PIN	DEFAULT	"A" CONNECTOR OPTIONS
1	B+ IN	8-32 VDC
2	CAN H	J1939
3	CAN L	J1939
4	DI-1L	None
5	AI 1	Resistive (Default) / 0-5 V
6	GND	None
"B" CONNECTOR OPTIONS		
1	B+ OUT	8-32 VDC
2	DI 2L	DO 1L
3	MODBUS A	None
4	MODBUS B	None
5	DI 3L	DO 2L
6	GND	None

MVP SERIES INPUT/OUTPUT OPTIONS		
PCB 6900-200		
PIN	DEFAULT	"A" CONNECTOR OPTIONS
1	B+ IN	8-32 VDC
2	CAN H	J1939
3	CAN L	J1939
4	DI-1L	None
5	AI 1	Resistive (Default) / 0-5 V
6	GND	None
"B" CONNECTOR OPTIONS		
1	DO 1H	DO 1L, DI 2L
2	DI 3L	AI (4-20mA, 0-5 VDC)
3	DO 2L	DI 4L
4	DI 5L	DO 3L
5	DI 6L	AI (4-20mA, 0-5 VDC)
6	DO 4H	DO 4L, DI 7L

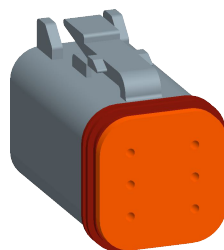
MVP SERIES INPUT/OUTPUT OPTIONS		
PCB 6950-100		
PIN	DEFAULT	"A" CONNECTOR OPTIONS
1	B+ IN	8-32 VDC
2	CAN H	J1939
3	CAN L	J1939
4	FREQ IN	None
5	AI 1	None
6	GND	None
"B" CONNECTOR OPTIONS		
1	DI 1L	None
2	DO 1H	None
3	AI 2	None
4	AI 3	None
5	DO 2H	DO 2L
6	DO 3H	None

MVP SERIES INPUT/OUTPUT OPTIONS		
PCB 6900-210		
PIN	DEFAULT	"A" CONNECTOR OPTIONS
1	B+ IN	8-32 VDC
2	CAN H	J1939
3	CAN L	J1939
4	DI-1L	None
5	AI 1	Resistive (Default) / 0-5 V
6	GND	None
"B" CONNECTOR OPTIONS		
1	V+ OUT	5 VDC (Default), 8-32 VDC
2	DI 2L	DO 1L
3	DI 3L	AI 2 (4-20mA, 0-5 VDC), DI 3H
4	DI 4L	AI 3 (4-20mA, 0-5 VDC), DI 4H
5	DI 5L	DO 2L
6	GND	None

KEY	
DO	Digital Output Low/High, 500 mA Max
FREQ IN	MPU, Alt Tach or Sq Wave; 3 V Min
AI	Analog Input Low/High, Wetting Current Resistive, Current, Active Voltage
DI	Digital Input Low/High, V Batt wetting current, close to GROUND



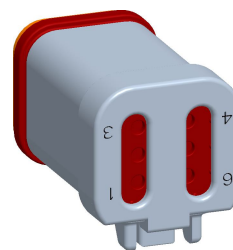
DETAIL A  
DT04-6P A/B (ENCLOSURE)  
SCALE 1.000




DT06-6S PLUG, W-6S WEDGE  
0462-201-16141 SOCKET, 16-20 AWG  
114017 PLUG (UNUSED TERMINALS)  
SCALE 1.000



9-1040 SEAL PLUG, OPTION 1  
(IF PORT IS UNUSED)  
SCALE 1.000



DT06-6S-C017 SEAL PLUG, OPTION 2  
(IF PORT IS UNUSED)  
SCALE 1.000

TOLERANCES ON DIMENSIONS UNLESS OTHERWISE SPECIFIED			
DECIMAL PLACE TOLERANCES	0.0 = ±0.060	WWW.CONTROLSINC.COM	330-239-4345
	0.00 = ±0.030	NEXT ASS'Y:	MVP SERIES PANEL ASSEMBLY
ANGLES:	XX = ±0.5°	DESCRIPTION:	INSTALLATION DRAWING, MVP-*** MODULE
DRAWING UNITS UNLESS SPECIFIED: INCHES		MATERIAL: REFERENCE BOM / DETAIL DWG	
DRAWN BY: KLD	DATE: 30-Aug-2019	STATUS: RELEASED	
RELEASED: KLD	DATE: 20-Apr-2023	DRAWING NUMBER:	REV:
MODEL: MVP		MVP_SERIES	C
CONFIGURATION: ALL	SHEET: 2 OF 2		