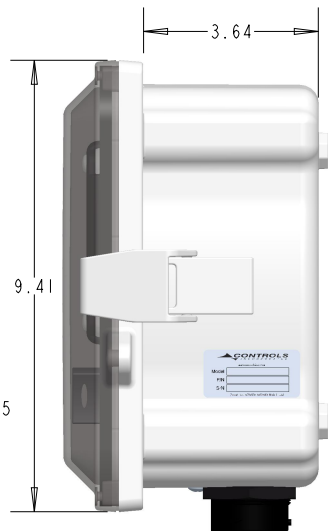
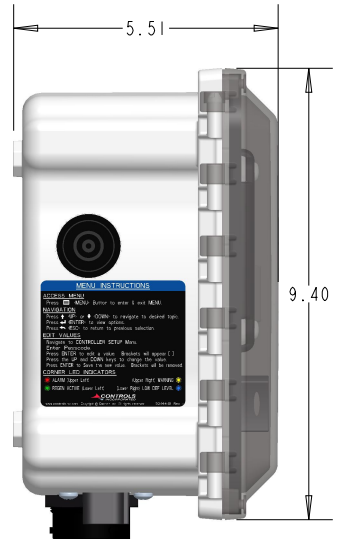
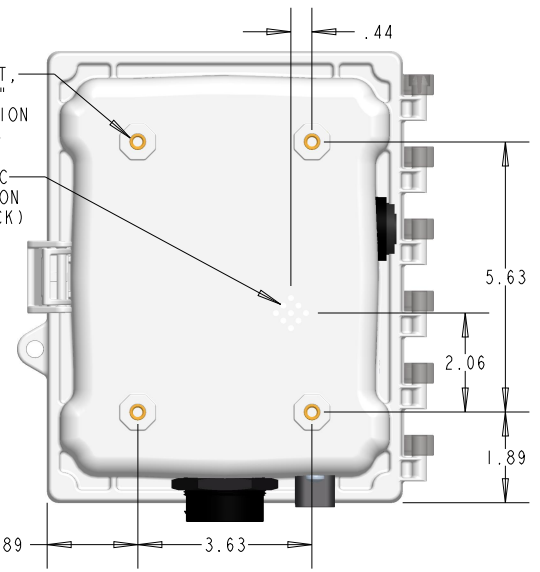


MX-62500-AS SHOWN  
SCALE 0.200

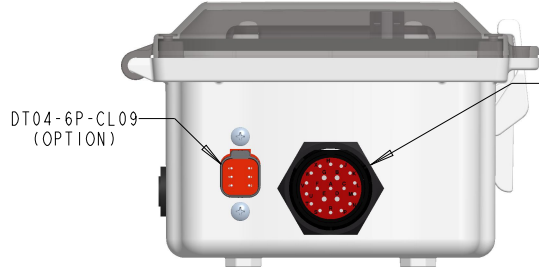


BRASS INSERT,  
1/4-20x1/2"  
MAX PENETRATION  
TYPICAL x4

ATMOSPHERIC  
VENT LOCATION  
(DO NOT BLOCK)



SCALE 0.250



MAIN DEUTSCH CONNECTOR  
HDP24-24-21PE (SHOWN/SUPPLIED, J1939)  
REFERENCE CONTROL PANEL MANUAL  
FOR PIN ASSIGNMENT DETAILS

NOTE:  
L-AH864-ABEG ENCLOSURE MODIFICATION SHOWN

ENCLOSURE MACHINING REFERENCE CHART		
DETAIL	COMPONENT	DESCRIPTION
A	VE82029	ATMOSPHERIC VENT
B	HDP23-24-XXPN/E	DEUTSCH, HDP/24 SHELL
D	DT04-4P-L012	DEUTSCH, DT/4P FLANGED
E	I1D3240	ALARM HORN
G	DT04-6P-CL09	DEUTSCH, DT/6P FLANGED
H	70-144	E-STOP ASSEMBLY

REV:    DATE:    BY:    DESCRIPTION:

TOLERANCES ON DIMENSIONS UNLESS OTHERWISE SPECIFIED			
DECIMAL PLACE TOLERANCES	0.0 = ±0.060	WWW.CONTROLSINC.COM	330-239-4345
	0.00 = ±0.030	NEXT ASS'Y:	N/A
	0.000 = ±0.010	DESCRIPTION:	MX CONTROL, 8x6x4 ATTA BOX, HDP24 & DT04-6P DEUTSCH, HORN
ANGLES:	XX = ±0.5°	MATERIAL:	REFERENCE BILL OF MATERIAL
DRAWING UNITS UNLESS SPECIFIED: INCHES		STATUS:	RELEASED
DRAWN BY: KLD	DATE: 16-Apr-19	DRAWING NUMBER:	
RELEASED BY: KLD	DATE: 09-Mar-21	REV:	
MODEL: MX-500-AS			
CONFIGURATION: 62500-AS		SHEET: 1 OF 1	MX-62500-AS