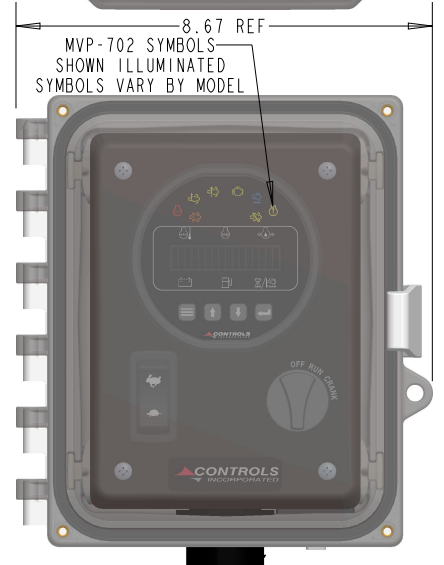
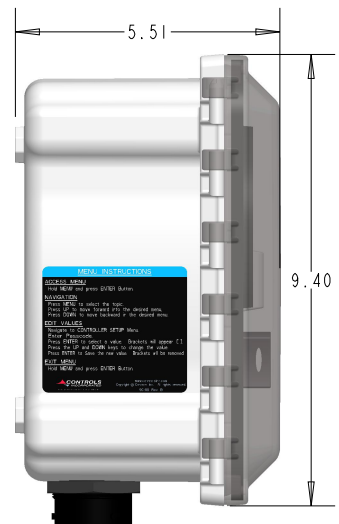
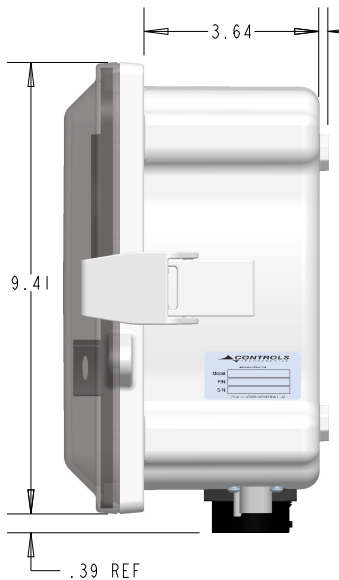


MVP-62702 SHOWN  
SCALE 0.200

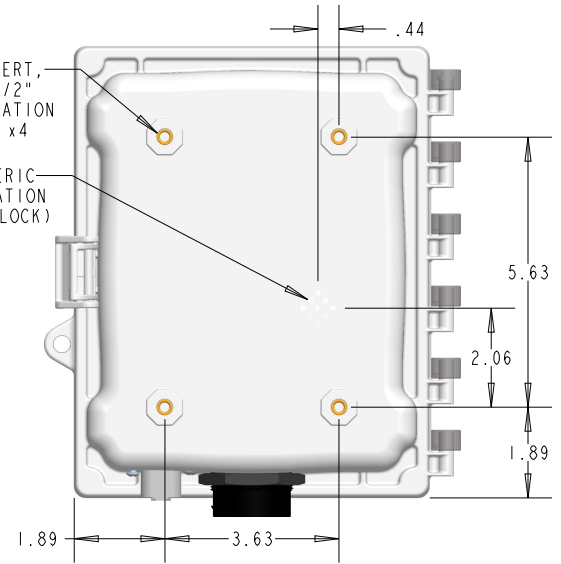


SCALE 0.250



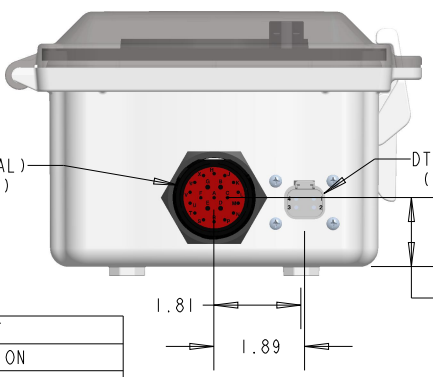
BRASS INSERT,  
1/4-20x1/2"  
MAX PENETRATION  
TYPICAL x4

ATMOSPHERIC  
VENT LOCATION  
(DO NOT BLOCK)



HDP24-24-2IPE (ELECTRONIC/UNIVERSAL)  
HDP24-24-16PE (MECHANICAL OPTION)

DT04-4P-L012  
(SUPPLIED)



NOTE:  
L-AH864-ABD ENCLOSURE MODIFICATION SHOWN

ENCLOSURE MACHINING REFERENCE CHART		
DETAIL	COMPONENT	DESCRIPTION
A	VE82029	ATMOSPHERIC VENT
B	HDP23-24-XXPN/E	DEUTSCH, HDP/24 SHELL
D	DT04-4P-L012	DEUTSCH, DT/4P FLANGED
E	11D3240	ALARM HORN
G	DT04-6P-CL09	DEUTSCH, DT/6P FLANGED
H	70-144	E-STOP ASSEMBLY

REV:	DATE:	BY:	DESCRIPTION:

TOLERANCES ON DIMENSIONS UNLESS OTHERWISE SPECIFIED			
DECIMAL PLACE TOLERANCES	0.0 = ±0.060	WWW.CONTROLSINC.COM	330-239-4345
	0.00 = ±0.030	NEXT ASS'Y:	N/A
	0.000 = ±0.010	DESCRIPTION:	MVP MODULE, 8x6x4 ATTABOX, HDP24* & DT04-4P DEUTSCH
ANGLES:	XX = ±0.5°	MATERIAL:	REFERENCE BILL OF MATERIAL
DRAWING UNITS UNLESS SPECIFIED: INCHES		STATUS:	RELEASED
DRAWN BY: KLD	DATE: 30-Aug-19	DRAWING NUMBER:	
RELEASED: KLD	DATE: 07-Jun-23	REV:	
MODEL: MVP		SHEET: 1 OF 1	MVP-62000_SERIES
CONFIGURATION: 62xxx			-