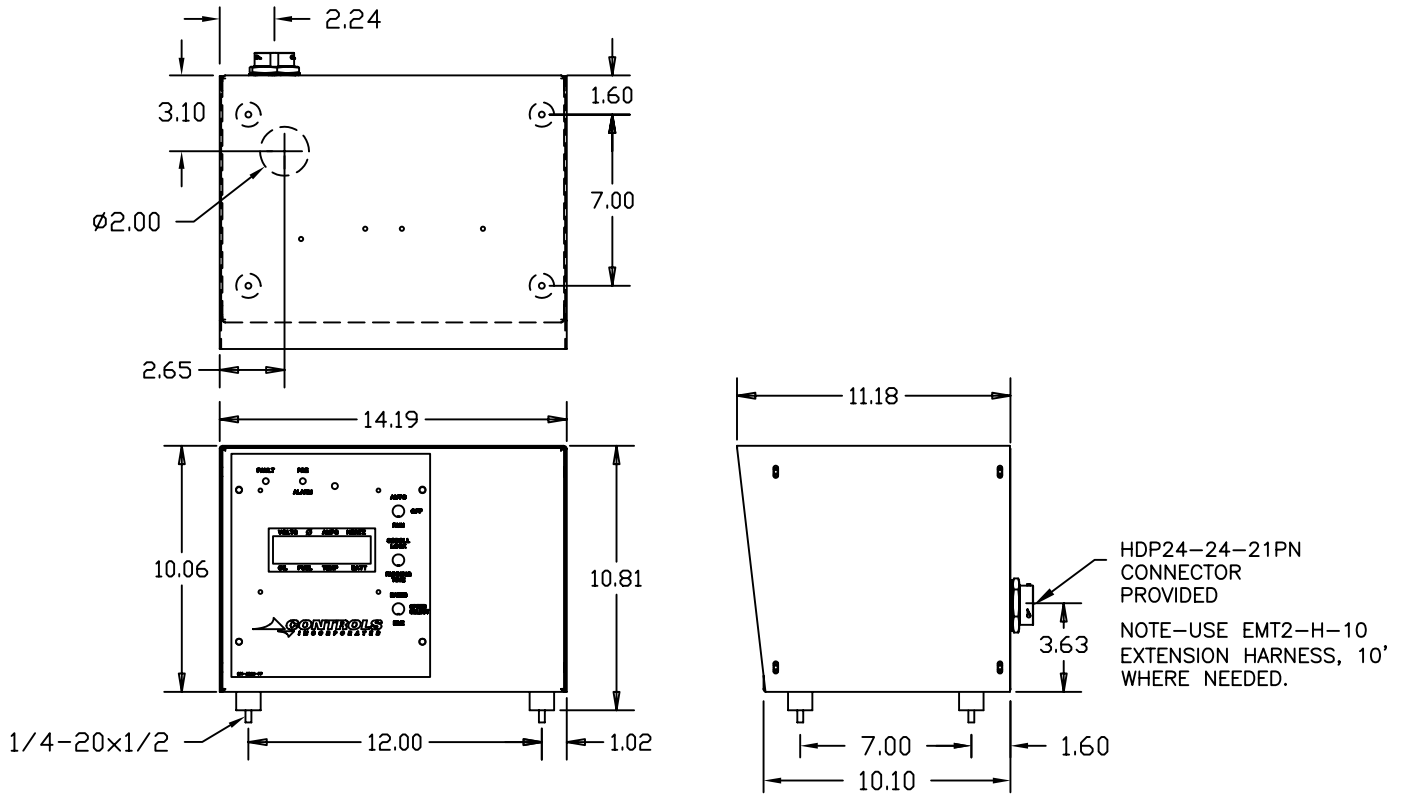
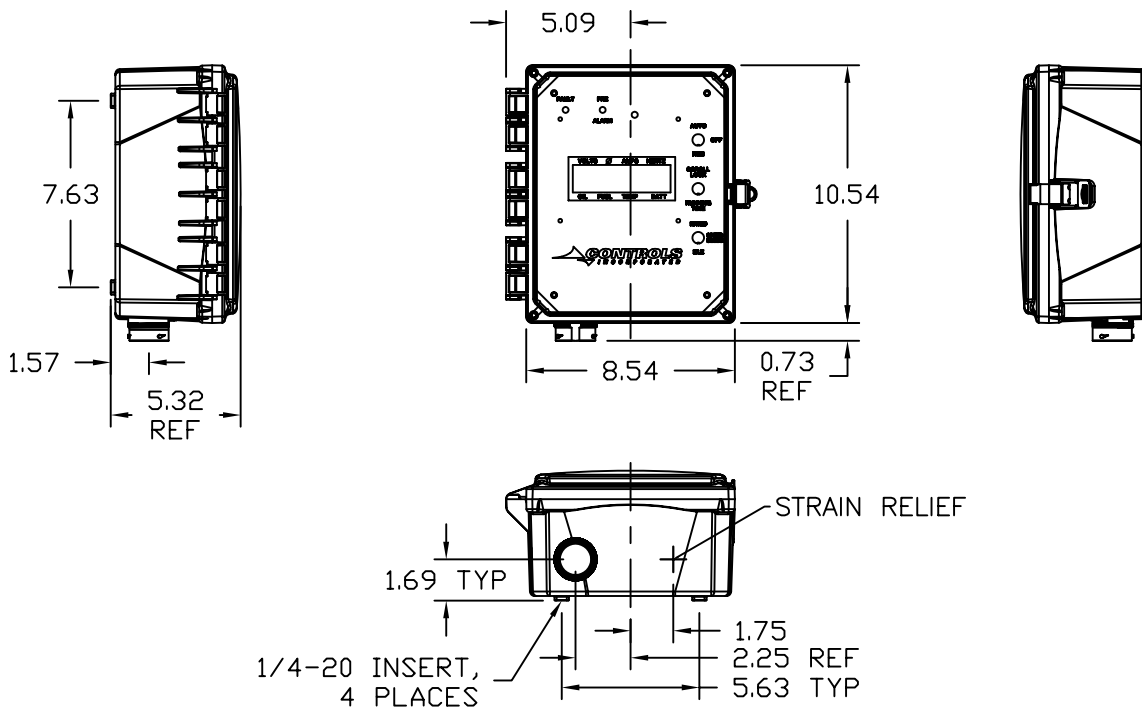


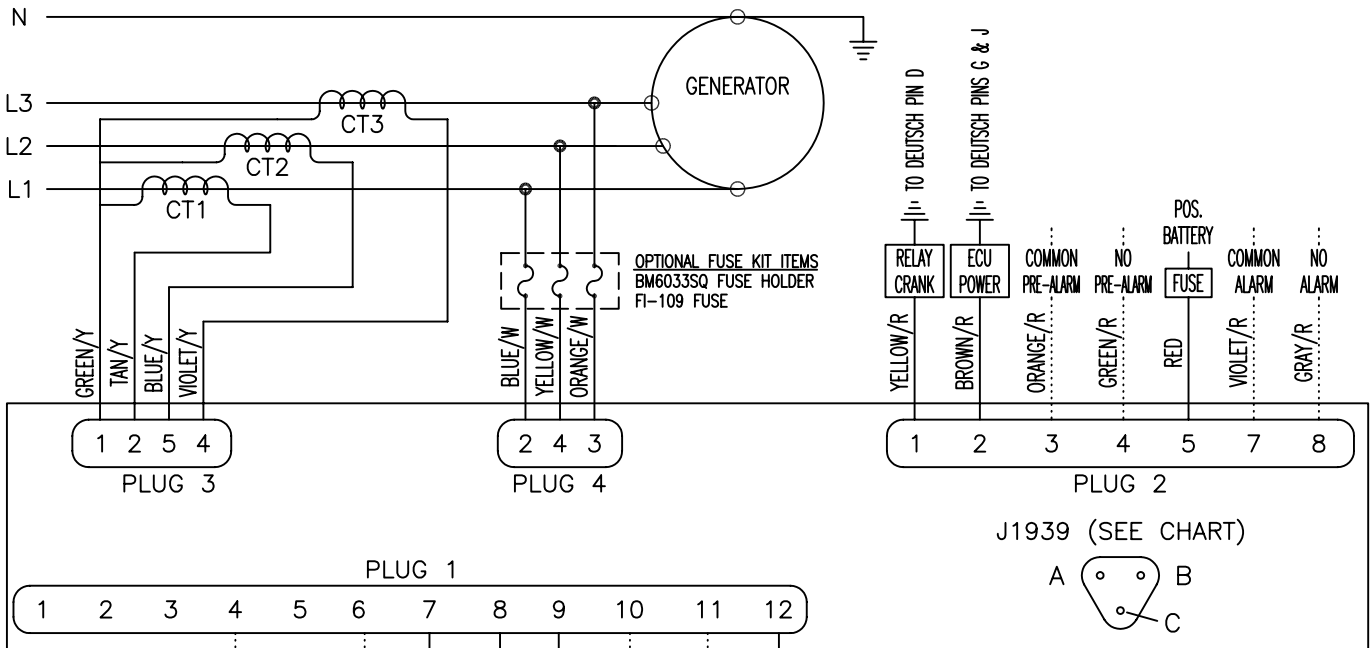
JCAN-C20125, 14" ENCLOSURE AND MOUNTING DIMENSIONS



JCAN-C20130, 10x8x4" ENCLOSURE AND MOUNTING DIMENSIONS



COMMON WIRING CONNECTIONS



J1939 (SEE CHART)



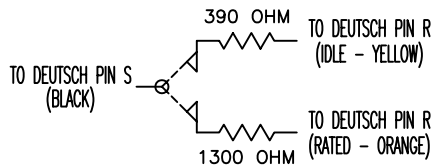
J1939 CONNECTIONS

LETTER	FUNCTION	DEUTSCH PIN
A	CAN HIGH	V
B	CAN LOW	U
C	SHIELD	F

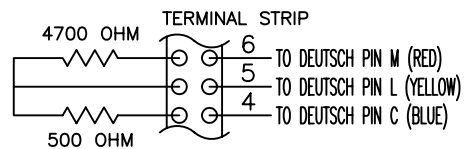
..... REQUIRE OPTIONAL 70-0146 WIRE KIT

= TERMINAL STRIP & PORT NUMBER

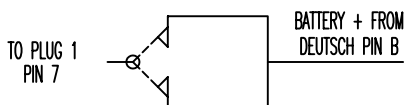
RAMP THROTTLE



THROTTLE EMULATOR



AUTO/OFF/RUN TOGGLE



NOTES:

1. NEUTRAL MUST BE GROUNDING
2. FUEL & CRANK RELAYS MUST HAVE A SUPPRESSION DIODE INSTALLED.
3. STRIPE COLORS: /R = RED STRIPE
/Y = YELLOW STRIPE
/W = WHITE STRIPE