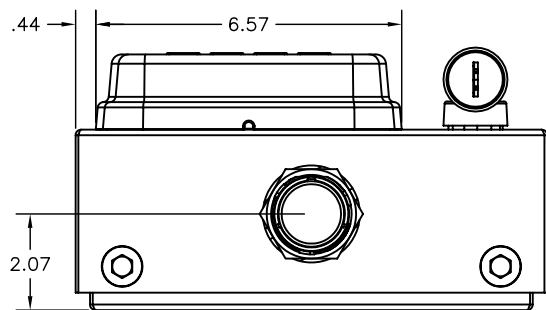
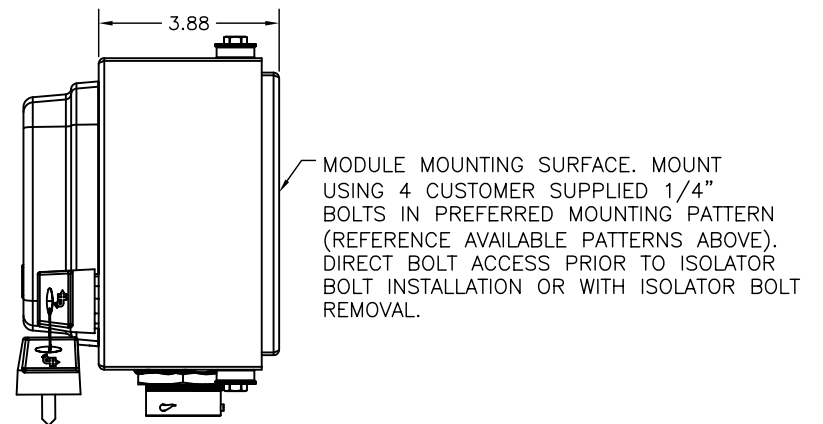
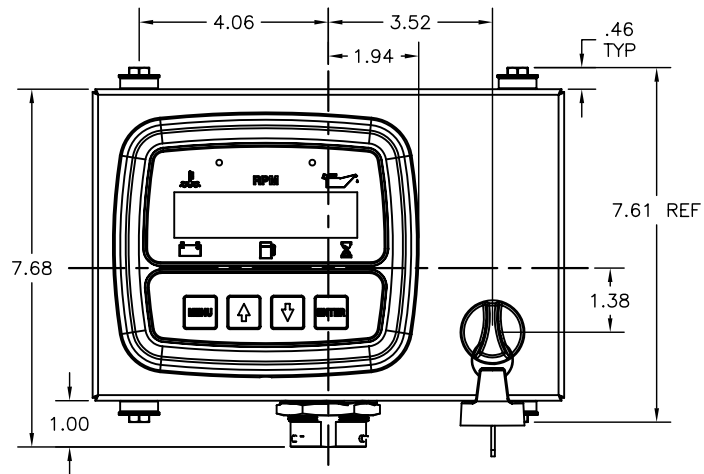


AVAILABLE 8-1027 MOUNTING PATTERNS



NOTES:

1. FOR CONNECTOR PIN ASSIGNMENTS, PLEASE CONSULT PRODUCT MANUAL.
2. FOR PANEL MOUNTING ASSEMBLY DIAGRAM, REFER TO DRAWING 8-104.

TOLERANCE ON DIM UNLESS OTHERWISE NOTED		CONTACT INFORMATION: www.controlstnc.com phone 330-239-4345		
FRACTIONS	$\pm 1/32$			
DECIMALS	0.0 = ± 0.060 0.00 = ± 0.030 0.000 = ± 0.010			1-MECH & KEYSWITCH ASSEMBLY WITH ISOLATION MOUNTING / BOTTOM 21 PIN DEUTSCH
ANGLES	$\pm 1^\circ$			
DRAWN BY: KLD	DATE: 7/24/2009			
CHECKED BY:	DATE:			
MODEL: C3 / C3M		MATERIAL:		STATUS:
CONFIGURATION:		DWG NO C3M-2500		