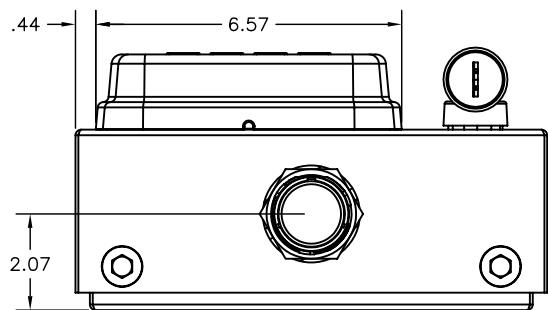
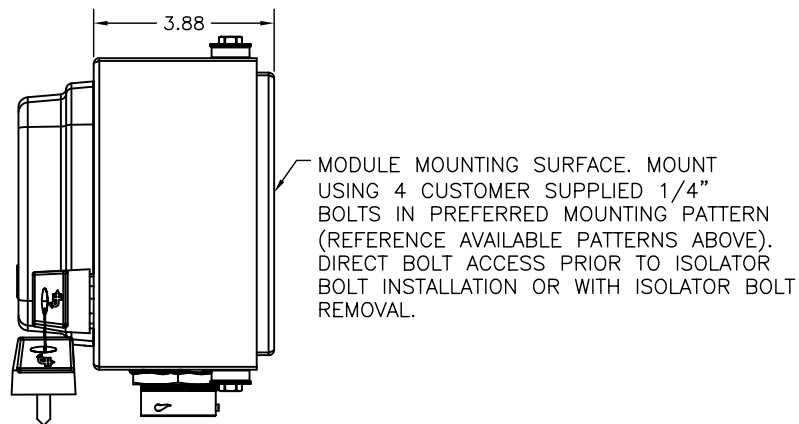
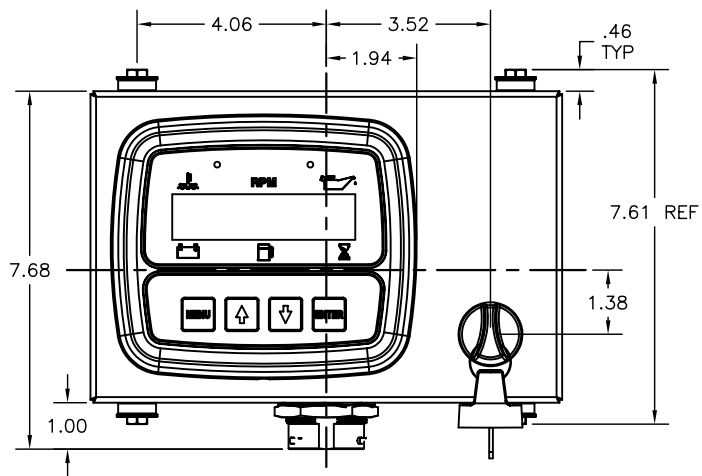


AVAILABLE 8-1027 MOUNTING PATTERNS



- NOTES:
1. FOR CONNECTOR PIN ASSIGNMENTS, PLEASE CONSULT PRODUCT MANUAL.
 2. FOR PANEL MOUNTING ASSEMBLY DIAGRAM, REFER TO DRAWING 8-104.

TOLERANCE ON DIM UNLESS OTHERWISE NOTED		CONTACT INFORMATION: www.controlinc.com phone 330-239-4345		
FRACTIONS	±1/32			
DECIMALS	0.0 = ±0.060 0.00 = ±0.030 0.000 = ±0.010			U-CAN & KEYSWITCH ASSEMBLY WITH ISOLATION MOUNTING / BOTTOM 21 PIN DEUTSCH
ANGLES	±1°			
DRAWN BY: KLD	DATE: 12/04/2008	MATERIAL:		
CHECKED BY:	DATE:	STATUS:		
MODEL: C3 / C3M		DWG NO		REV
CONFIGURATION:		C3-2500		-