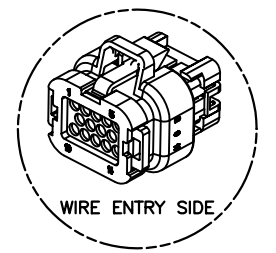
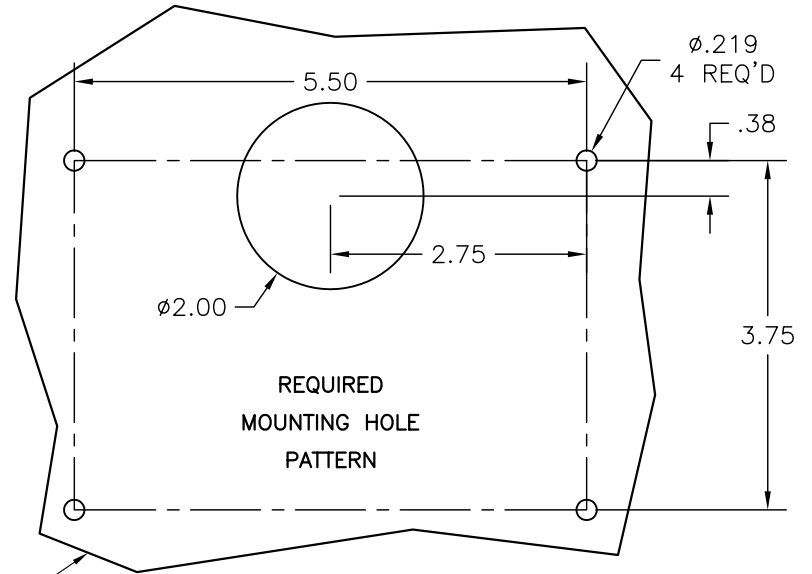
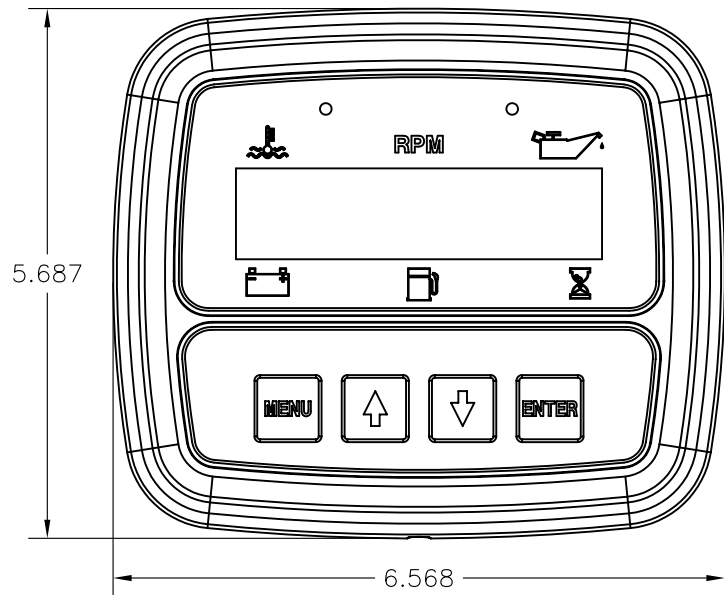


MATING CONNECTOR DETAIL



776273-1 PLUG, TYCO/AMP
 770854-1 SOCKET (TIN PLATED)
 770854-3 SOCKET (GOLD PLATED)



PANEL MOUNTING SURFACE AREA

TOLERANCE ON DIM UNLESS OTHERWISE NOTED	
FRACTIONS	$\pm 1/32$
DECIMALS	0.0 = ± 0.060 0.00 = ± 0.030 0.000 = ± 0.010
ANGLES	$\pm 1^\circ$
DRAWN BY: KLD	DATE: 10-13-2008
CHECKED BY:	DATE:
MODEL: C3 / C3M	
CONFIGURATION: 2500	

CONTACT INFORMATION:
 www.controlinc.com
 phone 330-239-4345

CONTROLS
 INCORPORATED

C3 ENCLOSURE MOUNTING RECOMMENDATIONS

MATERIAL:

STATUS: RELEASED	DWG NO: C3-100	REV: -
------------------	----------------	--------