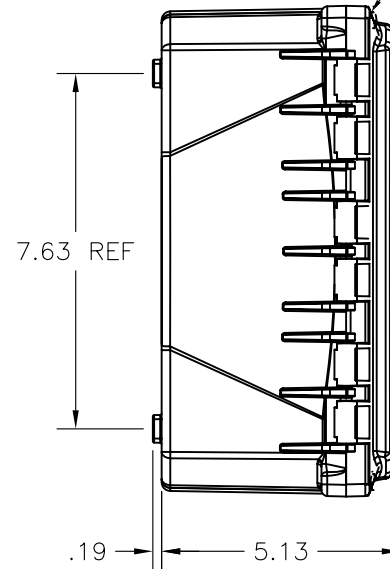


10-32x0.75 (x4)
(BOLT ON LIDS)



TOLERANCE ON DIM UNLESS OTHERWISE NOTED	
FRACTIONS	±1/32
DECIMALS	0.0 = ±0.060 0.00 = ±0.030 0.000 = ±0.010
ANGLES	±1°
DRAWN BY: KLD	DATE: 03/24/2008
CHECKED BY:	DATE:
MODEL:	
CONFIGURATION:	

CONTACT INFORMATION: www.controlinc.com phone 330-239-4345		
ENCLOSURE, CONTROL PANEL STANDARD UNIT (CLEAR COVER SHOWN)		
MATERIAL:		
STATUS:	DWG NO 10x8x4 ENCLOSURE	REV -